

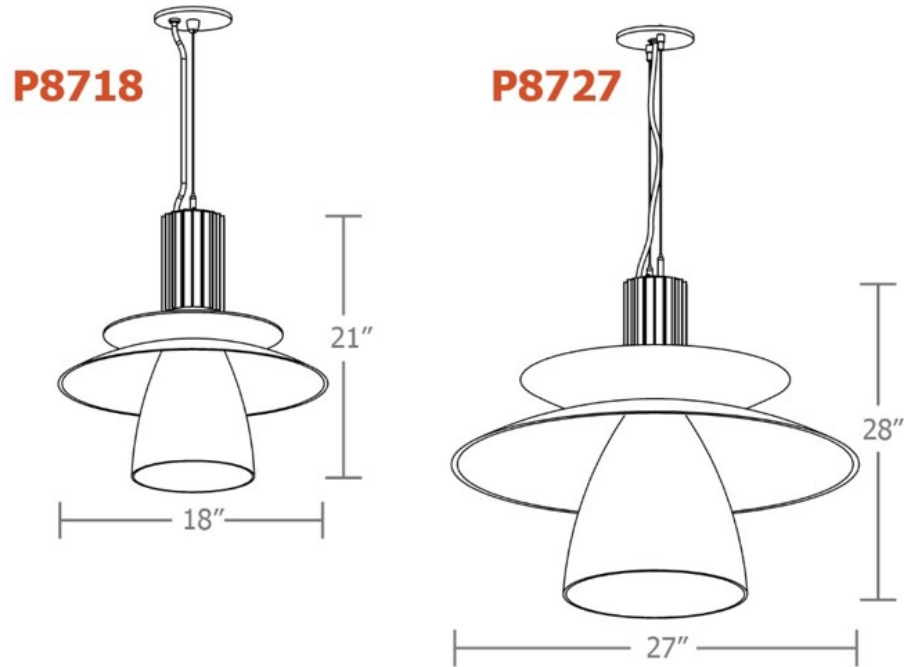


mel.o iii™ 5-slider

your lighting rep has recommended the **mel.o iii™** pendant for your project
Let's take a quick look:



sizes and lumens



- P8718 (18") / 1750 – 4350 lm
- P8727 (27") / 1750 – 4350 lm



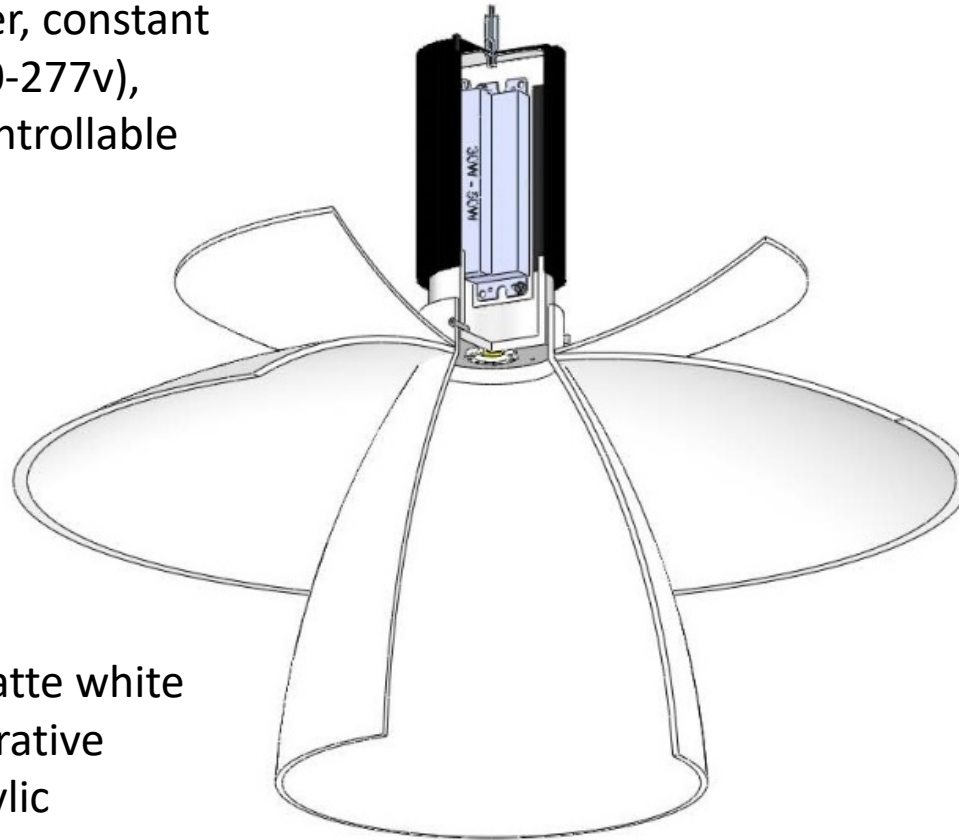
construction

integral programmable driver, constant current, universal input (120-277v), field maintainable, 0-10v controllable to 1% dimming.

single COB LED module in 80+ CRI standard or optional 90 CRI
2700K, 3000K, 3500K, and 4000K

.25" open bottom parabolic matte white acrylic diffuser with large decorative prismatic dome and upper acrylic translucent white dome

5" dia. spun steel canopy with single or dual field adjustable stainless-steel cables



2 anodized finishes, 18 standard paint finishes + custom RAL colors

(POC) power over cable suspension system option provides a clean look without the need for a separate power cord

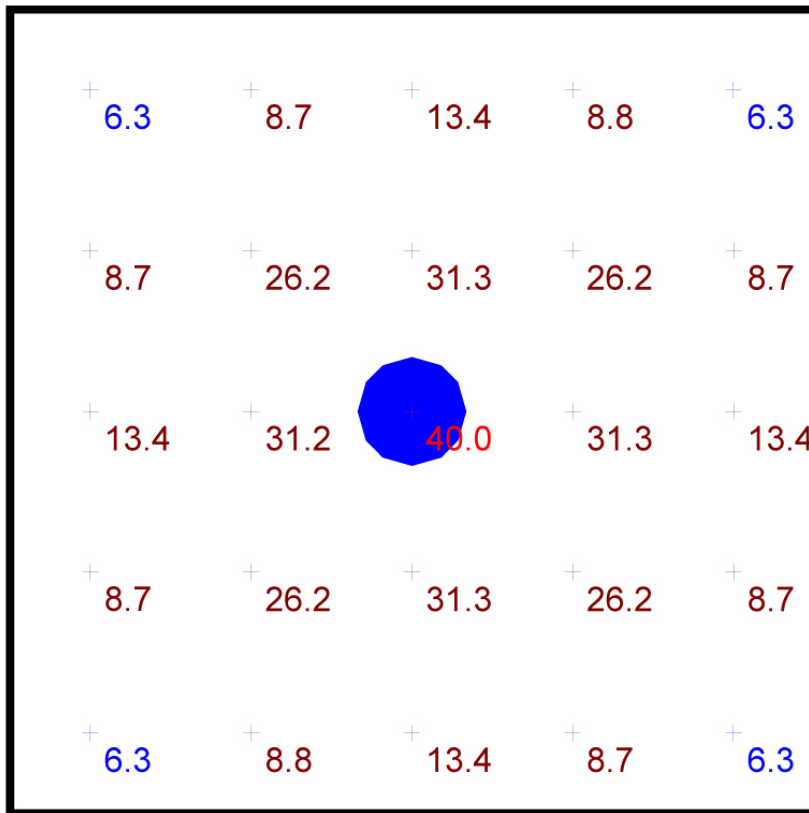
optional color cloth power cord in blue, orange, purple, red, or white & gray dot

optional frosted acrylic bottom lens, solvent welded to bottom of parabolic diffuser

performance

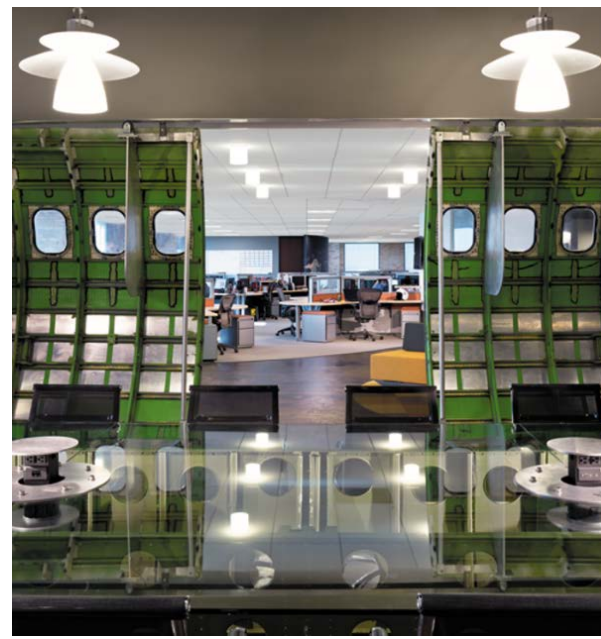
Statistics

Description	Symbol	Avg	Max	Min	Max/Min	Avg/Min
mel.o iii	+	16.7 fc	40.0 fc	6.3 fc	6.3:1	2.7:1



- 10' x 10' x 14'H space
- 80/50/20 reflectances
- bottom of fixture at 10' aff
- FC readings at 2.5' aff
- layout conducted using P8727 HI lumen package (3200 delivered lumens)





www.impactltg.com

- spec sheet and color chart
- photometric files and BIM models
- built to order in Saint Louis, MO, USA
- 4-week lead time

mel.o iii™ 5-slider

